



PULSE MULTI-PROCESS Aristo 500ix

Part Number	0446200880
-------------	------------



Reliable Pulse Package



STEP 2

Cooling Unit Selection

Optional. If you include, select the appropriate water cooled components

Product Family	Product Name	Ordering Part Number	Cooling power	Max water flow	Max pressure lift for torch Qmax	Weight
Cooling unit	Cool 2	0465427880	1 kW	1.8 l/min	4.6 bar	15 kg

Panel Information

Product Family	Product Name	Gauging	Live tie rig	Spot welding time	Limit setting	Code lock	Custom sym. lines	SuperPulse	Welding data reports
Pulsed panels	Pulse								
Pulsed panels	U6	x	x	x	x	x			
Pulsed control pendant	Aristo U82 Plus	x	x	x	x	x	x	x	x

Standard Features

Available on all panels

Mig pulse
Mig synergic
Qset
MMA welding
Memory positions
2 strokes/4 strokes
Pre-post gas flow setting
Burn back /SCT
Hot start

STEP 3

Wire Feeder Selection

All wire feeders are suitable for water cooling

Product Family	Product Name	Part No.	Flowmeter/therm/MMA outlet	Remote M1	Removes MTTA1 CANV, AT1 CAN and other	ELP function for legacy equipment	Push-pull & Mechanised Mig	U82 Control pendant included
RobustFeed	RobustFeed Pulse	0445800894		x				
		0445800891	x	x				
		0445800892	x	x	x	x	x	
RobustFeed	RobustFeed U6	0445800897		x				
		0445800887	x		x			
		0445800888	x	x	x	x	x	
RobustFeed	RobustFeed U82 Plus	0445800899		x	x		x	
		0445800898	x		x	x	x	x
		0445800900	x	x	x	x	x	x
		0445800901		x	x			

STEP 4

Connection Cable Selection

Product Family	Product Name	1,7m	5m	10m	15m	20m	25m	35m
Connection cable	70 mm ² gas cooled	0446255880	0446255881	0446255882	0446255883	0446255884	0446255885	0446255886
Connection cable	70 mm ² water cooled	0446255890	0446255891	0446255892	0446255893	0446255894	0446255895	0446255896

STEP 5

Torches Selection

Product Family	Product Name	3 m	4 m	5 m
Mig torches	EXEOR PSF 415 Air cooled	0700026406	0700026407	0700026408
Mig torches	EXEOR PSF 515 Air cooled	0700026411	0700026412	0700026413
Mig torches	EXEOR PSF 420W Water cooled	0700026415	0700026416	0700026417
Mig torches	EXEOR PSF 430W Water cooled	0700026420	0700026421	0700026422
Mig torches	EXEOR PSF 520W Water cooled	0700026425	0700026426	0700026427

Note: 430W and 520W models have dual-circuit cooling

STEP 1

Powersource Selection

Technical Information	
Input voltage	380-460V +/- 10%, 3 - 50-60 Hz
Setting range MIG/MAG (GMAW)	16A / 14,8 V - 500A / 39 V
Setting range MMA (SMAW)	16A / 20,6 V - 500A / 40 V
Setting range TIG (GTAW)	5A / 10,2 V - 500A / 30 V
Open circuit Voltage	58 V
Efficiency @ Max Current	88%
Power factor @max current	0.91
Permissible load MIG/MAG (GMAW)	500 A / 39,0 V @ 60% 400 A / 34,0 V @ 100%
Permissible load MMA (SMAW)	500 A / 30,0 V @ 60% 400 A / 36,0 V @ 100%
Permissible load TIG (GTAW)	500 A / 40,0 V @ 60% 400A / 26,0 V @ 100%
Idle power	24 W @ 380 25 W @ 400 27 W @ 460
Fuse type C MCB	32 A
Operating temperature	-20° to 40° C
Enclosure class	IP23
Insulation class	H
Application class	S
Dimension L x W x H	712 x 325 x 470 mm
Weight	58,5 Kg
Approvals	CE, Eco Design

MIG PULSE MULTI-PROCESS

STEP 6

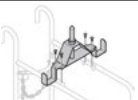

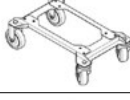

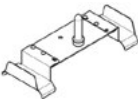



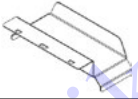



Trolley

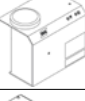
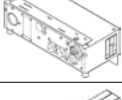
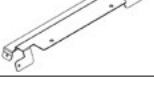



Product Name	Part No.
Trolley For Aristo 500ix/Warrior	0349313450



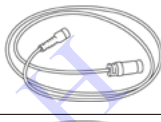





STEP 7

Accessories Information

Product name	Part No.	
Guide pin extension kit (necessary if feeder wheel kit is selected)	0465508880	
Wheel kit powersource	0465416880	
Wheel kit RobustFeed	0446081880	
Torch strain relief RobustFeed	0446082880	
Trolley retrofit kit for RobustFeed To fit RobustFeed on existing Warrior Trolley 0365510880	0349313100	
Quick connector marathon pack	F102440880	
Counterbalance Arm RobustFeed Requires stabilizer kit 0465509880	0448181880	
Interconnection strain relief kit (for update of cables without strain relief)	0446050881	
Cable mounting bracket	0446877880	
Coolant 10 l	0465720002	
Aristo® U82 Plus, complete including holder	0460820881	
Stabilizer kit for counterbalance	0465509880	

Product name	Part No.	
Aristo® 500ix Weldcloud solution - Follow installation manual pn 0446944 001		
Wed cloud mobile Communication and power cables included	0465550800	
Aristo® W82 data Only for Wed cloud. Not for robotic application.	0460891886	
W82 mounting bracket	0446712880	
Adaptor 10/12p for W82	0446089880	
Control cable W2, 12/10p	0462000880	
Mounting brackets 2 Pcs needed, one per side.	0446877880	

Product name	Part No.	
Remote digital control unit -For Robustfeed U82, U6 and Pulse - Any version		
Remote control MTA1 CAN MIG/MAG: wire feed speed and voltage MMA: current and arc force TIG: current, pulse and background current	0459491880	
Remote control unit M1 10 Prog CAN choice of one of 10 programs MIG/MAG: voltage deviation TIG and MMA current deviation	0459491882	
Remote cable CAN 4 pole – 12 pole 5 m 10m 15m 20m 0,40m	0459554880 0459554881 0459554882 0459554883 0459554884	
Remote cable CAN 4 pole – 12 pole 16 ft 5in. (5.0 m) HD	0459554980	

Remote analogue control unit - For Robustfeed Pulse, U6, U82 - Only Push pull version		
Remote control unit M1	0459491895	
Remote cable 8 pole –23 pole, 5 m	0459553880	


Remote analogue control unit - To connect to 12p outlet via RA23 D/O unit		
Remote control unit AT1 MMA and TIG current	0459491896	
Remote control unit AT1 CF MMA and TIG: course and fine setting of current	0459491897	
Remote cable 8 pole –23 pole, 5 m	0459553880	
Remote control adapter RA 23	0459491911	
Conn. cable Powersource-RA23 12/8p 5 m (16 ft 4.85 in.) 10 m (32 ft 9.7 in.) 15 m (49 ft 2.55 in.) 25 m (82 ft 0.25 in.)	0459552880 0459552881 0459552882 0459552883	


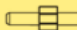

STEP 8

Wear Part List


Product Family	Product Name
Wear part RobustFeed	n.a.




Wears part for carbon steel, stainless and cored wires

Wire Diameter mm	0.6	0.8	0.9/1.0	1.2	1.4	1.6	1.8	2	Feed Roller
V-groove 	X	X							0445850001
		X	X						0445850002
			X						0445850003
			X	X					0445850004
				X					0445850005
					X	X			0445850006
								X	0445850007


	Inlet Wire Guide 	Middle Wire Guide 	Outlet Wire Guide 
Wire dia. 0.9 - 1.6	0445822001 (2 mm)	0446080882	0445830881

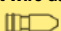
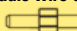
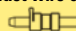
Wears part for cored wires - different wire guides dependent on wire diameter

Wire Diameter mm	0.9/1.0	1.2	1.4	1.6	1.8	2.0	2.4	Feed Roller
V-K-knurled 	X	X						0445850030
		X						0445850031
		X	X					0445850032
				X				0445850033
					X			0445850034
						X		0445850035
							X	0445850036

	Inlet Wire Guide 	Middle Wire Guide 	Outlet Wire Guide 
Wire dia. 0.9 - 1.6	0445822001 (2 mm)	0446080882	0445830881
Wire dia. 1.8 - 2.4	0445822002 (3 mm)	0446080883	0445830882

Wears part for aluminium

Wire Diameter mm	0.6	0.8	0.9/1.0	1.2	1.4	1.6	1.8	Feed Roller
U-groove 		X						0445850050
			X					0445850051
			X			X		0445850052

	Inlet Wire Guide 	Middle Wire Guide 	Outlet Wire Guide 
Wire dia. 0.9 - 1.6	0445822001 (2 mm)	0446080881	0445830885

Popular Package

Aristo 500ix, Robust feed U6, watercooled, 10m interconn

Product no	Product Name
0446200880	Aristo 500ix CE, (380-460V)
0445800887	Robust Feed U6 OW
0446081880	Robust Feed Wheel kit
0446255892	Intercon. RF CAN W 70mm2 10m
0465427880	Cool 2
0349313450	TROLLEY Warrior/Aristo 3 in 1
0465508880	Guide pin extension kit
0700026416	EXEOR PSF 420w, water cooled, 4m